



Beverage Systems

Technical Service Bulletin

Component Change

TSB-Y10-005

Date:

October 25, 2005

Subject:

Modified surface-mount CO₂ fill box for McDonald's applications.

Products Affected:

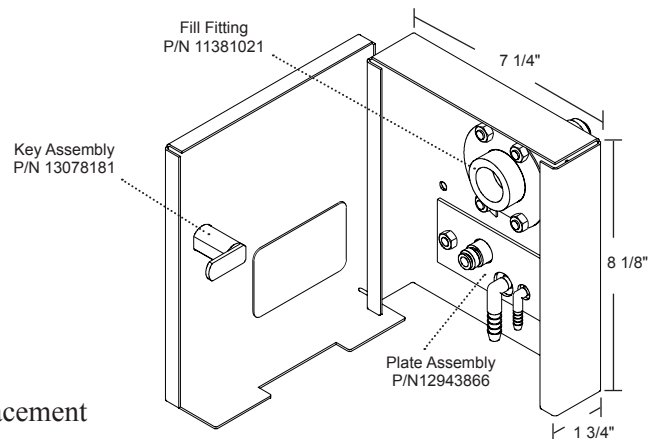
All Chart Beverage Systems CO₂ storage vessel installations for McDonald's requiring a new or replacement **surface-mounted** fill box (P/N 9722329).

Description:

The McDonald's surface-mount fill box is a major component of a stationary CO₂ fill circuit where the traditional flush mount style fill box cannot be or has not been installed. As of September 1, 2005 the McDonald's surface-mount fill box has the following features for purposes of simplifying service:

- The fill fitting (P/N 11381021) is mounted with four (1/4" - 20) stainless steel locknuts (P/N 2914071) onto studs permanently fastened to the back panel of the box. (The four-stud mount replaces the six-rivet mount so the box does not need to be removed to replace a fill fitting.)
Note: *The lock nuts should be tightened to a torque not exceeding 100 inch-pounds to avoid breaking the mounting studs.*
- A stud-mounted, removable connection plate assembly (P/N 12943866) includes the two-pin CO₂ connector and hose barb vent connectors. This assembly can be replaced and connected without removing the fill box.
- The CO₂ warning label is affixed to the outside (cover) of the fill box.
- The dimensions of the fill box are 8 1/8" x 7 1/4" x ~1 3/4".
- The fill box uses key assembly P/N 13078181 which includes cam P/N 13078165 and key P/N 13104087 (AH112).

This component modification has been extensively performance tested. It meets McDonald's standards and local code requirements, including those of New York City. If you have concerns or questions relative to this action, please contact your Chart Technical Service Representative at 800-253-1769 or 952-758-4400. Thank you for depending on Chart for high product quality and service.



**McDonald's Surface-Mount Fill Box
P/N 9722329**